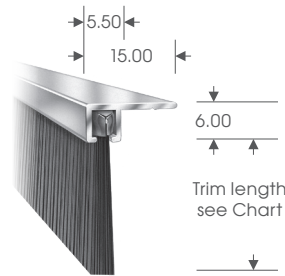


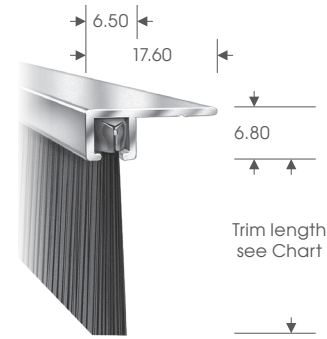
Standard Brush Strip Range

Carrier 90°



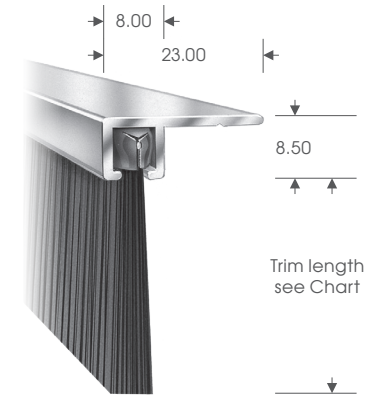
Aluminium thickness: 1.4mm

No. 1 Section - XSmall



Aluminium thickness: 1.5mm

No. 2 Section - Small



Aluminium thickness: 1.6mm

No. 3 Section - Medium

- ✓ Available in 6 section sizes with over 40 trim lengths or manufactured to customer specification.
- ✓ Carriers or Camstrip can be purchased separately.
- ✓ Standard lengths: 2m, 2.5m and 3m.
- ✓ Cut lengths are available on request.

Standard materials

Filaments – Extruded from type 6 nylon:

- Hard wearing.
- Good memory.
- Working temperature range -40°C to +100°C.

Metal backing – Electro galvanised steel.

Core wire – Electro galvanised steel.

Fixing carrier – Mill finish extruded aluminium in 180°, 90° and 45° flanges.

Non-standard items

Non-standard seals are available to individual customer specification. These can include:

- Stainless steel backing tape.
- Metallic or natural fibre filaments.
- Coils or rings etc; made from standard or non-standard Brush Strip.
- Anodised or painted finishes available on request.



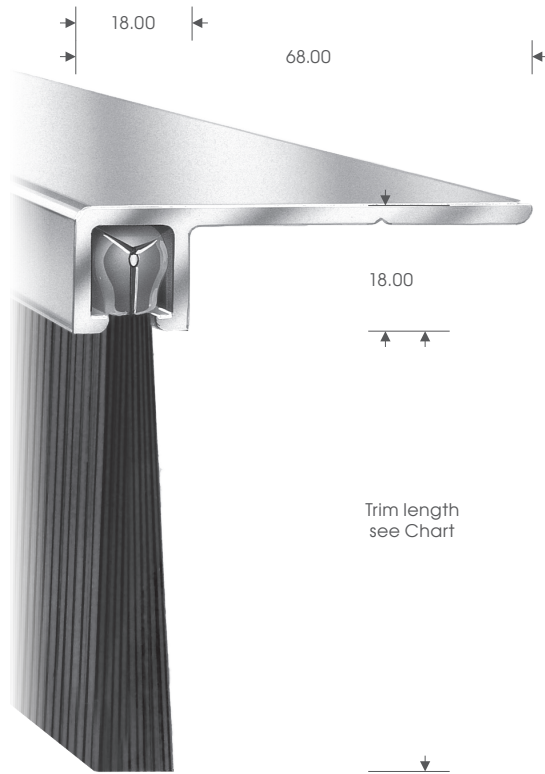
Aluminium thickness: 2.1mm

No. 4 Section - Large



Aluminium thickness: 1.9mm

No. 5 Section - XLarge



Aluminium thickness: 3.2mm

No. 6 Section - XXLarge



No. 1 Section - XSmall	
Trim	Ref
7mm	FS 1/7-90°
10mm	FS 1/10-90°
12mm	FS 1/12-90°
15mm	FS 1/15-90°

No. 2 Section - Small	
Trim	Ref
15mm	FS 2/15-90°
20mm	FS 2/20-90°
26mm	FS 2/26-90°
34mm	FS 2/34-90°
50mm	FS 2/50-90°

No. 3 Section - Medium	
Trim	Ref
17mm	FS 3/17-90°
20mm	FS 3/20-90°
26mm	FS 3/26-90°
34mm	FS 3/34-90°
40mm	FS 3/40-90°
44mm	FS 3/44-90°
50mm	FS 3/50-90°
75mm	FS 3/75-90°
100mm	FS 3/100-90°

No. 4 Section - Large	
Trim	Ref
26mm	FS 4/26-90°
43mm	FS 4/43-90°
50mm	FS 4/50-90°
80mm	FS 4/80-90°
102mm	FS 4/102-90°

No. 5 Section - XLarge	
Trim	Ref
46mm	FS 5/46-90°
50mm	FS 5/50-90°
66mm	FS 5/66-90°
80mm	FS 5/80-90°
102mm	FS 5/102-90°
125mm	FS 5/125-90°
150mm	FS 5/150-90°
180mm	FS 5/180-90°

No. 6 Section - XXLarge	
Trim	Ref
210mm	FS 6/210-90°
250mm	FS 6/250-90°
300mm	FS 6/300-90°

Measurements are in mm and have a tolerance +/- and are provided as a guide only. All specifications are subject to change at any time without prior notification.

